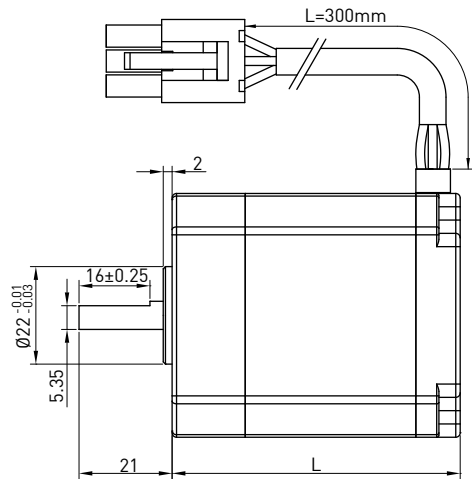
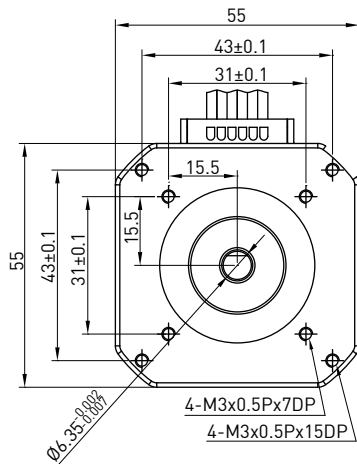
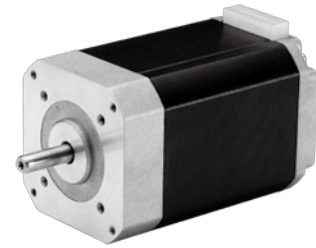




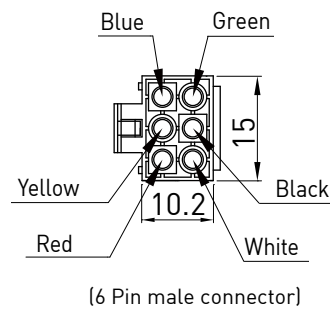
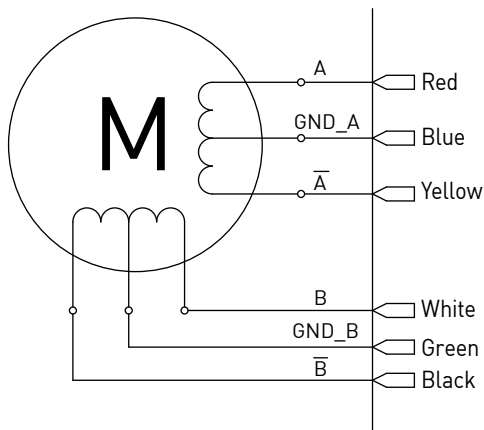


## 55mm Step Angle 1.8° ST55 Series



Model		Winding Type	Holding torque	Current	Resistance	Inductance	Rotor Inertia	Leads	Motor Length	Input Voltage
Single axis	Double axis									
			N.m	A/phase	Ω/phase	mH/phase	g-m <sup>2</sup>		(L)mm	Vdc
FRST02102401	FRST12102401	Single Pole	0.25	1.3	2.8	3.3	90	6	50.5	3
FRST02202401	FRST12202401	Single Pole	0.6	1.3	4.0	7.0	171	6	65	4
FRST02302401	FRST12302401	Single Pole	1.05	1.2	5.6	13.0	290	6	87	5.3

### ● Wiring Diagram



Notice:

- ★ Please use the wire which is larger than 0.5mm<sup>2</sup> and as short as possible for power and motor connection.
- ★ Support 2 phase stepping motor (6 lead wire).